



swiss lifting solutions

# TECHNICAL DATA ELECTRIC CHAIN HOISTS TROLLEYS INDUSTRY



since  
1957

[www.gis-ag.ch](http://www.gis-ag.ch)



## General information

General information	03
---------------------	----

## Combinations

Combination electric chain hoist + trolley	03
--	----

## Performance data

Electric chain hoists GPM and GP 3-Ph	04 - 05
Trolleys GHF and GMF 3-Ph	06 - 07
Electric chain hoists GPM, GP and electric trolleys GMF 1-Ph	08 - 09

## Dimensions

Electric chain hoists	10
Trolleys	11

## General information

GIS electric chain hoists are used everywhere, where process safety of lifting systems is important: in the hard three-shift operations in automotive and other high production industries, in dusty or chemical aggressive environments, for outdoor use, for the entertainment industry or for extreme lifting heights in wind power plants.

GIS electric chain hoists and trolleys are made to high standards.

The safety factor of the load chain is at least 8 (DIN EN 14492 A5, ISO M5) which reduces wear and tear and increases the service life.

GIS electric chain hoists have been developed and manufactured in Switzerland for more than 55 years.

For many industrial lifting applications standard GIS electric chain hoists offer the ideal solution. Depending on the complexity of the task and the conditions on site we offer GIS special products. A wide range of accessories and options is available.

GIS electric chain hoists and trolleys meet the requirements of the EC Machinery Directive and the relevant ISO and EN standard.

The values listed in the tables are approximate values. Differences due to technical modifications are always possible and subject to change.

## Combination electric chain hoist + trolley

The table below helps you to select the ideal combination of electric chain hoist and trolley.

Type	Type	GHF500K		GHF/GMF1250		GHF/GMF2500		GMF4000	GHF/GMF5000		GHF/GMF6300	GISKB		
	Lifting capacity (kg):	500		1250		2500		4000	5000		6300	GISKB III	GISKB III/IV	GISKB Allu
Type	Flange width (mm):	50 - 99	100 - 149	70 - 140	70 - 240	88 - 200	88 - 300	91 - 300	91 - 300	91 - 300				
GPM250	with eyebolt suspension	✓	✓	x	x	x	x	x	x	x	x	✓	x	✓
	with hook suspension	x	x	x	x	x	x	x	x	x	x	✓	x	x
GP250	with eyebolt suspension	✓	✓	✓	✓	0	0	x	x	x	x	✓	0	✓
	with hook suspension	x	x	x	x	x	x	x	x	x	x	x	✓	x
GP500	with eyebolt suspension	✓	✓	✓	✓	0	0	x	x	x	x	✓	0	✓
	with hook suspension	x	x	x	x	x	x	x	x	x	x	x	✓	x
GP1000	with eyebolt suspension	x	x	✓	✓	✓	✓	x	x	x	x	✓	0	x
	with hook suspension	x	x	x	x	x	x	x	x	x	x	x	x	x
	with suspension part	x	x	x	x	x	x	✓	✓	✓	✓	x	x	x
GP1600	with eyebolt suspension	x	x	x	x	✓	✓	x	x	x	x	x	x	x
	with hook suspension	x	x	x	x	x	x	x	x	x	x	x	x	x
	with suspension part	x	x	x	x	x	x	✓	✓	✓	✓	x	x	x
GP2500	with eyebolt suspension	x	x	x	x	✓	✓	x	x	x	x	x	x	x
	with hook suspension	x	x	x	x	x	x	x	x	x	x	x	x	x
	with suspension part	x	x	x	x	x	x	✓	✓	✓	✓	x	x	x

0 = special eyebolt suspension for GISKB III/IV (9307.1052.4)

## Electric chain hoists GPM250 and GP250 - 2500



The GP is simple in its structure and does not contain any sensitive electronics, which minimises the risk of operational interruptions. It is characterised by quiet running and is made for longevity whilst working hard. The ergonomic control switch with 42 V low voltage allows convenient and safe working. Maintenance is easy, quick and needs no special tools.

### Scope of supply

GPM250 + GP250 / 500 / 1000: with eyebolt suspension, GP1600 / 2500: without suspension, with geared limit switch for highest and lowest hook position, with chain bucket, with 2-button control switch with emergency-stop, standard lifting height 3 m, control cable length 1.8 m

Classification DIN EN 14492/ISO Cycles/Day Type	A3/M3 15 (25 % ED)	A4/M4 30 (30 % ED)	A5/M5 60 (40 % ED)	A6/M6 120 (50 % ED)	A7/M7 240 (60 % ED)	A7/M7 240 (60 % ED)	Lifting speed 50 Hz (m/min)	Lifting speed 60 Hz (m/min)
	Lifting capacity (kg)							
GPM250/1NF	-	320	250	200	-	-	8/2	9.6/2.4
GPM250/1SF	-	-	125	100	-	-	16/4	19.2/4.8
GP250/1N	400	320	250	200	160	125	8	9.6
GP250/1NF	400	320	250	200	160	125	8/2	9.6/2.4
GP250/1SF	-	160	125	100	-	-	16/4	19.2/4.8
GP250/1NL	400	320	250	200	160	125	4	4.8
GP250/2N	-	630	500	400	320	250	4	4.8
GP250/2NF	-	630	500	400	320	250	4/1	4.8/1.2
GP250/2NL	-	630	500	400	320	250	2	2.4
GP500/1N	800	630	500	400	320	250	8	9.6
GP500/1NF	800	630	500	400	320	250	8/2	9.6/2.4
GP500/1SF	-	320	250	200	160	125	16/4	19.2/4.8
GP500/1NL	800	630	500	400	320	250	4	4.8
GP500/2N	-	1250	1000	800	630	500	4	4.8
GP500/2NF	-	1250	1000	800	630	500	4/1	4.8/1.2
GP500/2NL	-	1250	1000	800	630	500	2	2.4
GP1000/1N	1600	1250	1000	800	630	500	8	9.6
GP1000/1NF	1600	1250	1000	800	630	500	8/2	9.6/2.4
GP1000/1SF	-	630	500	-	-	-	16/4	19.2/4.8
GP1000/1NL	1600	1250	1000	800	630	500	4	4.8
GP1000/2N	-	2500	2000	1600	1250	1000	4	4.8
GP1000/2NF	-	2500	2000	1600	1250	1000	4/1	4.8/1.2
GP1000/2NL	-	2500	2000	1600	1250	1000	2	2.4
GP1600/1NF	2500	2000	1600	-	-	-	8/2	9.6/2.4
GP1600/1SF	-	1000	800	-	-	-	16/4	19.2/4.8
GP1600/1NL	2500	2000	1600	1250	1000	-	4	4.8
GP1600/2NF	-	4000	3200	-	-	-	4/1	4.8/1.2
GP1600/2NL	-	4000	3200	2500	2000	-	2	2.4
GP2500/1B	-	3200	-	-	-	-	6.4	7.8
GP2500/1NF	-	-	2500	2000	-	-	8/2	9.6/2.4
GP2500/1BF	-	3200	-	-	-	-	6.4/1.6	7.8/1.9
GP2500/1SF	-	-	1250	1000	-	-	16/4	19.2/4.8
GP2500/1NL	-	-	2500	2000	-	-	4	4.8
GP2500/1BL	-	3200	-	-	-	-	3.2	3.8
GP2500/2B	-	6300	-	-	-	-	3.2	3.8
GP2500/2NF	-	-	5000	4000	-	-	4/1	4.8/1.2
GP2500/2BF	-	6300	-	-	-	-	3.2/0.8	3.8/1
GP2500/2NL	-	-	5000	4000	-	-	2	2.4
GP2500/2BL	-	6300	-	-	-	-	1.6	1.9



- Standard voltages: 3 × 400 V / 50 Hz, 3 × 230 V / 50 Hz
- 42 V low voltage control
- Profile steel chain according to EN818-7, case hardened and manganese phosphated
- Load hook according to DIN 15401, 360° rotatable
- Isolation class F
- Area of application: -15 °C to +50 °C
- Utilisation period 1600 h (DIN EN 14492 A5, ISO 5M)



**GPM250, GP250 - 2500 3-Ph**  
Lifting capacity up to 6300 kg

Motor power (kW)	Power consumption fully-loaded 3 x 400 V / 50 Hz (A)	Protection class	Number of chain falls	Chain diameter (mm)	Chain weight per meter (kg)	Weight unequipped (kg)	Weight equipped, 3 m lifting height (kg)	Sound pressure level, in hall, 1 m distance (dBA)	Fuse protection (A)
0.37/0.1	2.0/1.2	IP65	1	3.75x10.75	0.34	14	17	65	6
0.37/0.1	2.0/1.2	IP65	1	3.75x10.75	0.34	14	17	65	6
0.72	2.8	IP65	1	3.75x10.75	0.34	22	24	65	6
0.72/0.18	2.8/1.7	IP65	1	3.75x10.75	0.34	22	24	65	6
0.72/0.18	2.8/1.7	IP65	1	3.75x10.75	0.34	22	24	65	6
0.55	1.8	IP65	1	3.75x10.75	0.34	22	24	65	6
0.72	2.8	IP65	2	3.75x10.75	0.34	22	25	65	6
0.72/0.18	2.8/1.7	IP65	2	3.75x10.75	0.34	22	25	65	6
0.55	1.8	IP65	2	3.75x10.75	0.34	22	25	65	6
0.72	2.8	IP65	1	5.25x15	0.69	23	26	65	6
0.72/0.18	2.8/1.7	IP65	1	5.25x15	0.69	23	26	65	6
0.72/0.18	2.8/1.7	IP65	1	5.25x15	0.69	23	26	65	6
0.55	1.88	IP65	1	5.25x15	0.69	23	26	65	6
0.72	2.8	IP65	2	5.25x15	0.69	23	28	65	6
0.72/0.18	2.8/1.7	IP65	2	5.25x15	0.69	23	28	65	6
0.55	1.88	IP65	2	5.25x15	0.69	23	28	65	6
2.3	6.4	IP65	1	7.45x23	1.37	49	57	80	10
2.3/0.57	5.7/4.1	IP65	1	7.45x23	1.37	50	58	80	10
2.3/0.57	5.7/4.1	IP65	1	7.45x23	1.37	50	58	80	10
1.5	3.7	IP65	1	7.45x23	1.37	49	57	80	10
2.3	6.4	IP65	2	7.45x23	1.37	49	61	80	10
2.3/0.57	5.7/4.1	IP65	2	7.45x23	1.37	50	62	80	10
1.5	3.7	IP65	2	7.45x23	1.37	49	61	80	10
3.7/0.93	9.5/5.5	IP65	1	9.4x27.4	2.22	77	93	80	16
3.7/0.93	9.5/5.5	IP65	1	9.4x27.4	2.22	77	93	80	16
2.2	5.7	IP65	1	9.4x27.4	2.22	72	88	80	16
3.7/0.93	9.5/5.5	IP65	2	9.4x27.4	2.22	77	102	80	16
2.2	5.7	IP65	2	9.4x27.4	2.22	72	97	80	16
3.7	-	IP65	1	11.75x32.9	3.53	72	95	80	16
3.7/0.93	9.5/5.5	IP65	1	11.75x32.9	3.53	77	100	80	16
3.7/0.93	9.5/5.5	IP65	1	11.75x32.9	3.53	77	100	80	16
3.7/0.93	9.5/5.5	IP65	1	11.75x32.9	3.53	77	100	80	16
2.2	6.1	IP65	1	11.75x32.9	3.53	72	95	80	16
2.2	6.1	IP65	1	11.75x32.9	3.53	72	95	80	16
3.7	-	IP65	2	11.75x32.9	3.53	72	112	80	16
3.7/0.93	9.5/5.5	IP65	2	11.75x32.9	3.53	77	117	80	16
3.7/0.93	9.5/5.5	IP65	2	11.75x32.9	3.53	77	117	80	16
2.2	6.1	IP65	2	11.75x32.9	3.53	72	112	80	16
2.2	6.1	IP65	2	11.75x32.9	3.53	72	112	80	16

## Trolleys GHF500K, GHF1250 - 6300 and GMF1250 - 6300



GIS travel trolleys are simple in design and allow smooth transportation of loads up to 6300 kg on steel beams. The electric chain hoist serves as a lifting device. The travel movement, tailored to the load capacity and the local conditions is either manually or electrically driven. The integrated fall and climbing protection made of solid cast steel, as well as the intervention protection ensure maximum safety. Due to their good handling characteristics and their longevity, GIS trolleys are often used by our customers as components for end carriage of underslung travelling cranes.

### Scope of supply

Push trolley GHF consisting of 2 side plates, support bolt(s)

Electric trolley GMF1250 / 2500 / 4000 consisting of 2 side plates, electric drive unit, support bolt, DC-spring loaded brake, connection cable to hoist, counterweight (GMF1250 / 2500), 4-button control switch with emergency stop, control cable length depending on lifting height

Electric trolley GMF5000 / 6300 consisting of 2 side plates, 2 electric drive units, 2 support bolts, 2 DC-spring loaded brakes, connection cable to hoist, 4-button control switch with emergency stop, control cable length depending on lifting height

Classification DIN EN 14492/ISO Cycles/Day Type	A3/M3	A4/M4	A5/M5	A6/M6	A6/M6	Travelling speed 50 Hz (m/min)	Travelling speed 60 Hz (m/min)
	15 (25 % ED)	30 (30 % ED)	60 (40 % ED)	120 (50 % ED)	120 (50 % ED)		
	Lifting capacity (kg)						
GHF500K	500	500	500	400	320	-	-
GHF1250	1250	1000	800	630	500	-	-
GMF1250/N	1250	1000	800	630	500	12	14.4
GMF1250/NF	1250	1000	800	630	500	12/4	14.4/4.8
GMF1250/SF	1250	1000	800	630	500	24/6	28.8/7.2
GHF2500	2500	2000	1600	1250	1000	-	-
GMF2500/N	2500	2000	1600	1250	1000	12	14.4
GMF2500/NF	2500	2000	1600	1250	1000	12/4	14.4/4.8
GMF2500/SF	2500	2000	1600	1250	1000	24/6	28.8/7.2
GMF4000/NF	4000	3200	2500	-	-	12/4	14.4/4.8
GMF4000/SF	4000	3200	2500	-	-	24/6	28.8/7.2
GHF5000	5000	4000	3200	-	-	-	-
GMF5000/NF	5000	4000	3200	-	-	12/4	14.4/4.8
GMF5000/SF	5000	4000	3200	-	-	24/6	28.8/7.2
GHF6300	6300	5000	4000	3200	-	-	-
GMF6300/NF	6300	5000	4000	3200	-	12/4	14.4/4.8
GMF6300/SF	6300	5000	4000	3200	-	24/6	28.8/7.2

- Standard voltages: 3 × 400 V / 50 Hz, 3 × 230 V / 50 Hz
- 42 V low voltage control
- Side plates and load wheels made of cast iron (GHF and GMF), load wheels for flat running surfaces  
Side plates made of die-cast aluminium and load wheels made of glass fibre reinforced plastic (GHF500K)
- Galvanised support bolts, flange width infinitely variable
- Fall and climbing protection


**GHF500K**

Lifting capacity up to 500 kg


**GHF1250 - 6300**

Lifting capacity up to 6300 kg


**GMF1250 - 6300 3-Ph**

Lifting capacity up to 6300 kg

Motor power (kW)	Power consumption fully-loaded 3 x 400 V / 50 Hz (A)	Protection class	Weight, with standard spindle (kg)	Adjustable flange width, standard spindle (mm)	Adjustable flange width, optional spindle	Minimum curve radius (with carrier rollers) (mm)	Minimum curve radius (without carrier rollers) (mm)	Maximum flange thickness (mm)
-	-	-	2.5	50 - 99	100 - 149	-	1200	24
-	-	-	11	70 - 140	70 - 240	1300	1000	26
0.25	0.8	IP54	30	70 - 140	70 - 240	1300	1000	26
0.15/0.045	0.65/0.75	IP54	30	70 - 140	70 - 240	1300	1000	26
0.3/0.075	1.0/0.9	IP54	30	70 - 140	70 - 240	1300	1000	26
-	-	-	20	88 - 200	88 - 300	1800	1500	30
0.25	0.8	IP54	38	88 - 200	88 - 300	1800	1500	30
0.15/0.045	0.65/0.75	IP54	38	88 - 200	88 - 300	1800	1500	30
0.3/0.075	1.0/0.9	IP54	38	88 - 200	88 - 300	1800	1500	30
0.15/0.045	0.65/0.75	IP54	55	91 - 300	-	2200	1800	35
0.3/0.075	1.0/0.9	IP54	55	91 - 300	-	2200	1800	35
-	-	-	32	91 - 300	-	2200	1800	35
2x0.15/0.045	2x0.65/0.75	IP54	63	91 - 300	-	2200	1800	35
2x0.3/0.075	2x1.0/0.9	IP54	63	91 - 300	-	2200	1800	35
-	-	-	47	91 - 300	-	2200	1800	36
2x0.15/0.045	2x0.65/0.75	IP54	78	91 - 300	-	2200	1800	36
2x0.3/0.075	2x1.0/0.9	IP54	78	91 - 300	-	2200	1800	36

## Electric chain hoists GPM250 and GP250 - 1000



The GPM and GP hoists are available in a 1-phase version destined for workshop use in the absence of 3-phase power supply, for mobile or outdoor use.

### Scope of supply

GPM250 + GP250 / 500 / 1000: with eyebolt suspension, with chain bucket, with 2-button control switch with emergency-stop, without geared limit switch for highest and lowest hook position, standard lifting height 3 m, control cable length 1.8 m

Classification DIN EN 14492/ISO Cycles/Day Type	A3/M3 15 (25 % ED)	A4/M4 30 (30 % ED)	Lifting capacity (kg)				Lifting speed 50 Hz (m/min)	Lifting speed 60 Hz (m/min)
			A5/M5 60 (40 % ED)	A5/M5 60 (40 % ED)	A5/M5 60 (40 % ED)	A5/M5 60 (40 % ED)		
GPM250/1N 1Ph	-	-	125	100	80	-	8	9.6
GPM250/1NL 1Ph	-	-	250	200	160	125	4	4.8
GP250/1N 1Ph	-	-	250	200	160	125	8	9.6
GP250/1NL 1Ph	-	-	250	200	160	125	4	4.8
GP250/2N 1Ph	-	-	500	400	320	250	4	4.8
GP250/2NL 1Ph	-	-	500	400	320	250	2	2.4
GP500/1N 1Ph	-	-	250	200	160	125	8	9.6
GP500/1NL 1Ph	-	-	500	400	320	250	4	4.8
GP500/2N 1Ph	-	-	500	400	320	250	4	4.8
GP500/2NL 1Ph	-	-	1000	800	630	500	2	2.4
GP1000/1N 1Ph	-	-	500	400	-	-	8	9.6
GP1000/1NL 1Ph	-	-	1000	800	630	500	4	4.8
GP1000/2N 1Ph	-	-	1000	800	-	-	4	4.8
GP1000/2NL 1Ph	-	-	2000	1600	1250	1000	2	2.4

## Electric trolleys GMF1250 - 2500



The electric trolleys EMFE are available in a 1-phase version destined for workshop use in the absence of 3-phase power supply.

### Scope of supply

Electric trolley GMF1250 / 2500 consisting of 2 side plates, electric drive unit, support bolt, counterweight, DC-spring loaded brake, connection cable to hoist, 4-button control switch with emergency stop, control cable length depending on lifting height

Classification DIN EN 14492/ISO Cycles/Day Type	A3/M3 15 (25 % ED)	A4/M4 30 (30 % ED)	Lifting capacity (kg)			Travelling speed 50 Hz (m/min)	Travelling speed 60 Hz (m/min)
			A5/M5 60 (40 % ED)	A6/M6 120 (50 % ED)	A6/M6 120 (50 % ED)		
GMF1250/N 1Ph	1250	1000	800	630	500	12	14.4
GMF2500/N 1Ph	2500	2000	1600	1250	1000	12	14.4



- Standard voltages: 1 × 230 V / 50 Hz, 1 × 115 V / 50 Hz
- 110 V or 230 V control voltage (GPM250)  
42 V low voltage control (GP250/500/1000)
- Profile steel chain according to EN818-7, case hardened and manganese phosphated
- Load hook according to DIN 15401, 360° rotatable
- Isolation class F
- Area of application: -15 °C to +50 °C
- Utilisation period 1600 h (DIN EN 14492 A5, ISO 5M)



**GPM250, GP250 - 1000 1-Ph**  
Lifting capacity up to 2000 kg

Motor power (kW)	Power consumption fully-loaded 1 x 230 V / 50 Hz (A)	Protection class	Number of chain falls	Chain diameter (mm)	Chain weight per meter (kg)	Weight unequipped (kg)	Weight equipped, 3 m lifting height (kg)	Sound pressure level, in hall, 1 m distance (dBA)	Fuse protection (A)
0.25	2.9	IP65	1	3.75x10.75	0.34	14	17	76	10
0.25	2.9	IP65	1	3.75x10.75	0.34	14	17	76	10
0.55	5.9	IP65	1	3.75x10.75	0.34	22	24	76	10
0.55	5.9	IP65	1	3.75x10.75	0.34	22	24	76	10
0.55	5.9	IP65	2	3.75x10.75	0.34	22	25	76	10
0.55	5.9	IP65	2	3.75x10.75	0.34	22	25	76	10
0.55	5.9	IP65	1	5.25x15	0.69	23	26	76	10
0.55	5.9	IP65	1	5.25x15	0.69	23	26	76	10
0.55	5.9	IP65	2	5.25x15	0.69	23	28	76	10
0.55	5.9	IP65	2	5.25x15	0.69	23	28	76	10
1.5	6	IP65	1	7.45x23	1.37	48	56	80	16
1.5	6	IP65	1	7.45x23	1.37	48	56	80	16
1.5	6	IP65	2	7.45x23	1.37	48	60	80	16
1.5	6	IP65	2	7.45x23	1.37	48	60	80	16

- Standard voltages: 1 × 230 V / 50 Hz, 1 × 115 V / 50 Hz
- 42 V low voltage control
- Side plates and load wheels made of cast iron, load wheels for flat running surfaces
- Galvanised support bolts, flange width infinitely variable
- Fall and climbing protection



**GMF1250 - 2500 1-Ph**  
Lifting capacity up to 2500 kg

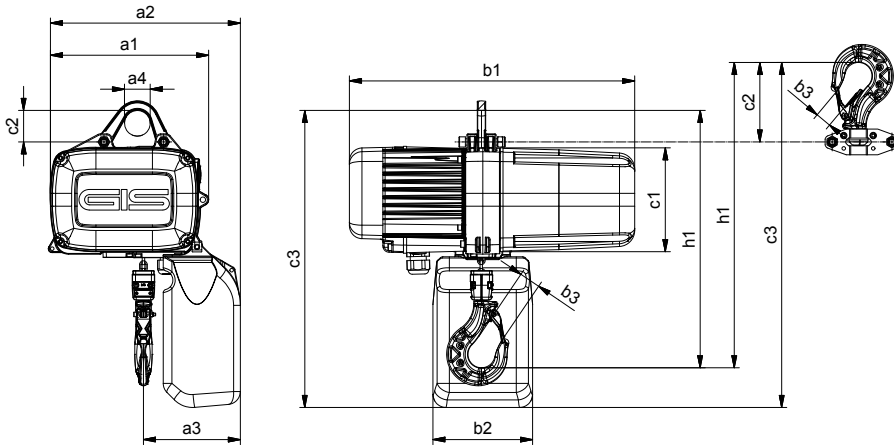
Motor power (kW)	Power consumption fully-loaded 1 x 230 V / 50 Hz (A)	Protection class	Weight, with standard spindle (kg)	Adjustable flange width, standard spindle (mm)	Adjustable flange width, optional spindle (mm)	Minimum curve radius (with carrier rollers) (mm)	Minimum curve radius (without carrier rollers) (mm)	Maximum flange thickness (mm)
0.25	1.0	IP54	30	70 - 140	70 - 240	1300	1000	26
0.25	1.0	IP54	38	88 - 200	88 - 300	1800	1500	30

## Dimensions electric chain hoists

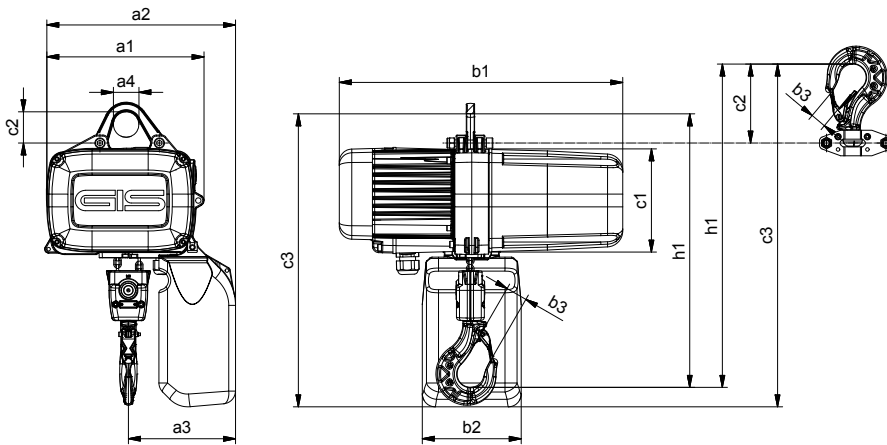
Type	a1 (mm)	a2' (mm)	a3' (mm)	a4 (mm)	b1 (mm)	b2' (mm)	b3 (mm)	c1 (mm)	c2 eye (mm)	c2 hook (mm)	c3 eye' (mm)	c3 hook' (mm)	h1 eye (mm)	h1 hook (mm)	Schematic drawing
GPM250/1	204	245	122	Ø30	396	120	20	134	39	90	419	470	330	381	9500.9201.5
GP250/1	246	296	151	Ø40	444	155	24	162	49	124	462	537	406	480	9510.9201.5
GP250/2	246	296	168	Ø40	444	155	24	162	49	124	462	537	432	506	9510.9202.5
GP500/1	246	296	151	Ø40	444	155	24	162	49	124	462	537	414	488	9511.9201.5
GP500/2	246	296	175	Ø40	444	155	24	162	49	124	462	537	453	528	9511.9202.5
GP1000/1	328	385	198	Ø52	548	180	33	212	58	140	598	680	535	617	9515.9201.5
GP1000/2	328	385	235	Ø52	548	180	33	212	58	140	598	680	595	676	9515.9202.5
GP1600/1	380	452	259	Ø75	650	222	35	237	118	147	870	899	659	688	9520.9200.5
GP1600/2	380	452	306	Ø75	650	222	35	237	118	147	870	899	727	756	9520.9201.5
GP2500/1	380	452	259	Ø62	650	222	41	237	111	204	870	963	692	785	9521.9200.5
GP2500/2	380	452	313	Ø62	650	222	41	237	111	204	870	963	781	874	9521.9201.5

\*Chain bucket for lifting height 3 m

### GPM250, GP250 - 2500, 1-fall



### GP250 - 2500, 2-falls

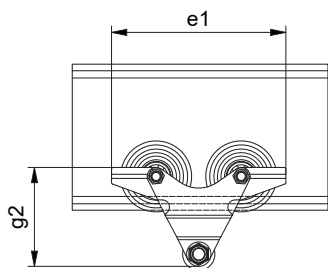


## Dimensions trolleys

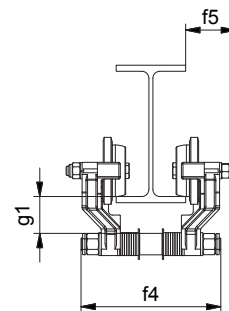
Type	e1 (mm)	e2 (mm)	f1 (mm)	f2 (mm)	f3 (mm)	f4 (mm)	f5 (mm)	g1 (mm)	g2 (mm)	h2 (mm)	Schematic drawing	
						50 - 99	100 - 149				GPM250/1 GP250/1 GP250/2	
GHF500K	215	-	-	-	-	183	233	62	48	122	330 406 432	9248.9251.5
						70 - 140	70 - 240				GP250/1 GP250/2 GP500/1 GP500/2	
GHF1250	239	-	-	-	-	186	286	38.5	48	179	406 432 414 453	9249.9200.5
GMF1250	239	49	175*	330	274.5	186	286	32	48	179	406 432 414 453	9249.9205.5
						88 - 200	88 - 300				GP500/2 GP1000/1 GP1000/2	
GHF2500	286	-	-	-	-	258	358	44.5	57	218	453 535 595	9249.9201.5
GMF2500	286	26	190	336	280.5	258	358	38	57	218	453 535 595	9249.9206.5
						91 - 300					GP1600/1 GP1600/2 GP2500/1	
GMF4000	341	-	-	338.5	282.5	368		40.5	57	241	633 701 673	9249.9211.5
						91 - 300					GP1600/1 GP1600/2 GP2500/1 GP2500/2	
GHF5000	341	-	-	-	-	368		47.5	57	241	633 701 673 762	9249.9202.5
GMF5000	341	-	-	338.5	282.5	368		40.5	57	241	633 701 673 762	9249.9207.5
						91 - 300					GP2500/1 GP2500/2	
GHF6300	387	-	-	-	-	392		49.5	54.5	270	673 762	9249.9203.5
GMF6300	387	-	-	344.5	289.5	392		46.5	54.5	270	673 762	9249.9208.5

\*Flange width ≤ 120mm: Additional counterweight extension required, 175 + 34 mm

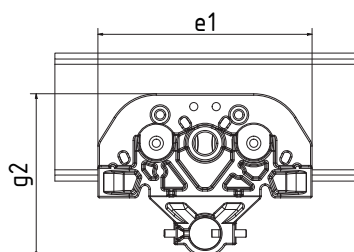
### GHF500K



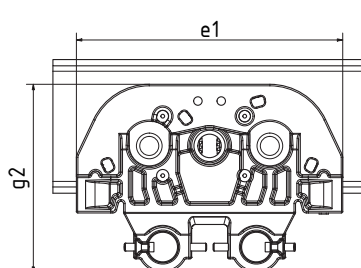
### GHF500K



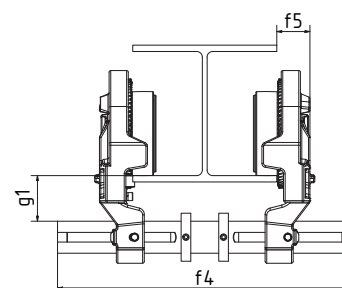
### GHF1250 / 2500



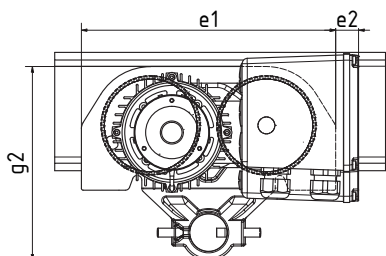
### GHF5000 / 6300



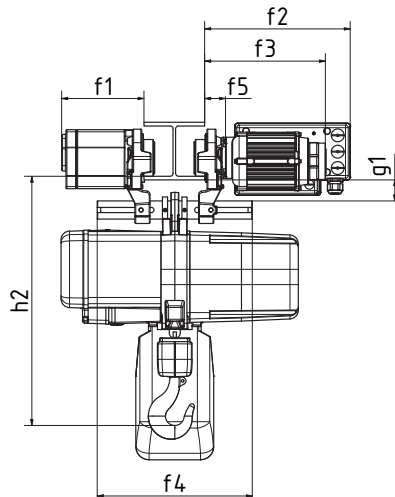
### GHF1250 - 6300



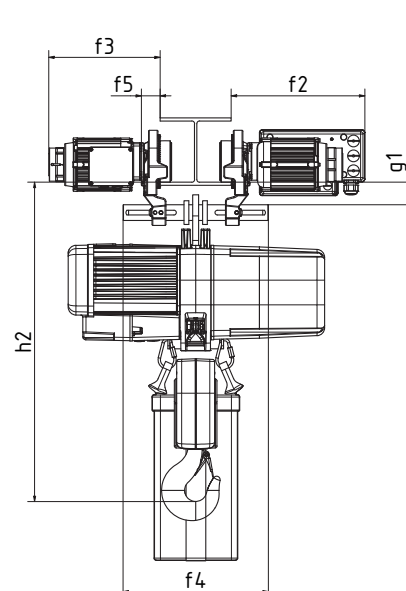
### GMF1250 / 2500



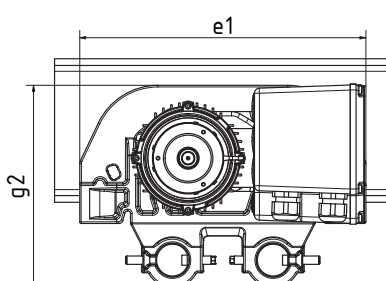
### GMF1250 / 2500 / 4000

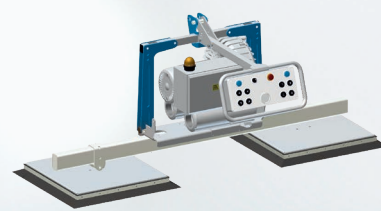
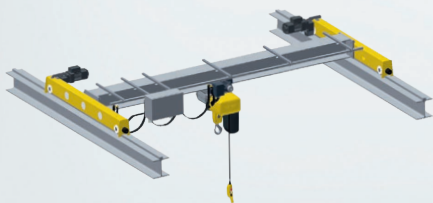


### GMF5000 / 6300



### GMF4000 / 5000 / 6300





## Crane systems

GISKB steel crane construction kit for line-bound or all-round goods handling. GISKB aluminium crane system, slewing pillar and wall cranes for smooth handling of transport goods. Travelling cranes and slewing cranes made of steel profiles for heavier loads.

## Hoisting equipment

Over 55 years experience in the manufacture of electric chain hoists: robust, durable, reliable and highly resistant to wear. Simple maintenance. Various special versions for every application area. Wide range of accessories and options.

## Vacuum handling systems

GIS vacuum handling systems for the ergonomic and gentle handling of goods made of different materials like wood, glass, stone, metal or plastic. In combination with the appropriate crane system.

**GIS AG – the specialist for electric chain hoists and crane systems** Founding of the GIS AG in 1957 | With own subsidiary in Germany and England | Development and production of electric chain hoists in Switzerland for over 55 years | Swiss manufacturer of complete crane systems inc. hoisting equipment and vacuum lifters | Certified to ISO 9001 since 1994 | Complete market services from project planning to installation, start-up and maintenance | International sales network with over 50 qualified partners worldwide

swiss lifting solutions  
Certified to ISO 9001