

## Vacuum Load Lifting Devices

The FEZER vacuum load lifting devices convince by their robust design, their long-life cycle and above all by their easy handling combined with high safety features.

They increase the efficiency and profitability of production processes as well as work safety and ergonomoy. Using vacuum load lifting devices relieve the operators and prevent a high illness rate caused by overwork.

FEZER vacuum load lifting devices support your daily work, increase the productivity and work safety combined with comparably low investment costs. Look and see.

Introduction.....	33/38
VacuBoy .....	39/54
VacuGiant .....	55/64
VacuCoil .....	65/72
VacuWood .....	73/76
VacuPoro .....	77/78

## Vacuum Load Lifting Devices

### Introduction

### Areas of Application

The individual device series is designed for various applications and ensure a process-safe and economical production run. With the help of vacuum technology workpieces can not only be easily and fast engaged but also be transported damage-free and safely. For these reasons the lifters are being used in many fields of industry:

- Handling of aluminum, steel, glass, chipboard and plastic plates
- Handling of coils and split strips
- Transport of wood, gluelam beams, chipboards, MDF and OSB plates
- Feeding of CNC, punching and nipple machines
- Commissioning, putting into and out of storage
- Used in roller mills, automobile industry, wind energy, aeronautics, stone and concrete industries

### Unique Safety Concept

All device series are absolutely safe, reliable and correspond to the current DIN EN 13155. Largely dimensioned vacuum safety tanks and integrated warning units ensure the highest operational safety, also in case of a power failure.

Additionally all manually operated FEZER lifters are equipped with the unique „Main Switch Supervision“. This feature sends out a warning signal should loads become engaged solely by the remaining vacuum in the tank while the main switch is off. This supervision sets new standards on vacuum load lifting devices when it comes to operational safety.



**FEZER**  
Simply move more.

### VacuBoy in Action

- 1 Feeding a laser cutter with the help of a VacuBoy
- 2 Transport of metal sheets by a VacuBoyMini in power-independant battery design
- 3 VacuBoy for commissioning steel sheets
- 4 VacuBoy VB-180E for turning over furniture parts

### Basic Equipment

FEZER vacuum lifters convince by their clever design. The lifters can be adjusted to individual customer's requirements and desires easily and problem-free. The devices have very high safety and comfort features as a standard:

#### Safety:

- Main switch supervision on lifters with handslide valves (warning signal when loads are engaged with turned-off main switch)
- Large-dimensioned safety tank integrated in the lifter's main beam
- Non-return valve between vacuum generator and safety tank
- Manual vacuum control by lockable handslide valve
- Vacuum gauge with „red-green“ area for visual supervision
- Acoustic warning unit for decrease of vacuum and power failure
- Large-dimensioned vacuum filter to protect the valves and pumps

#### Comfort:

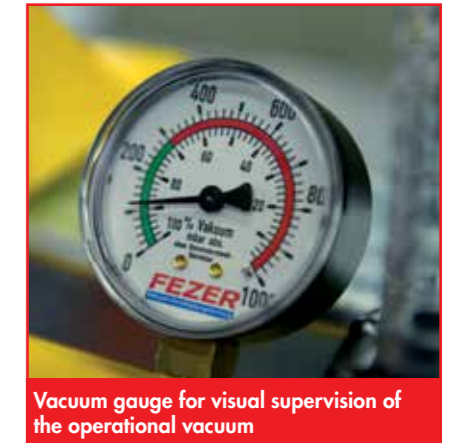
- Push-buttons with emergency-off on lifters with electrical movements (swivelling, turning over, or rotation)
- Various suction pads for smooth, rough or grooved surfaces
- Movable suction pads to adjust to varying workpiece dimensions



Main switch surveillance by vacuum switch in distribution line



Acoustic warning unit goes off in case of vacuum decrease or power failure



Vacuum gauge for visual supervision of the operational vacuum



Non-return valve to prevent a venting via the pump in case of a power failure



Vacuum safety tank for short suction times and safety in case of power failure



Manual vacuum control via handslide valve with arrest



Large-dimensioned dust filter with exchangeable filter cartridge



Manipulating handle with push-buttons and emergency-off on lifters with electrical movements



Suction pads with cross clamping piece to adjust on the cross beam



Mounting element with clamping screw to adjust the cross beam



Manifold selection of suction pads for different surfaces



Powerful, robust and low-maintenance pumps for highest safety

### Options

The lifters can be additionally equipped with a multitude of options to meet your individual safety and comfort requirements:

#### Safety:

- Optical warning unit with large green and red lamp for „ready for operation“ and „malfunction“ and acoustic howler on power failure
- Disposal stands to protect the suction pads when lifter is set down

#### Comfort:

- Electrical vacuum control with two-hand operation via push-buttons
- Switching automatic with alternate suction and release activation
- Universal holder for crane pendants with Velcro fastener
- Electrical control functions by push-buttons for crane movements
- Vacuum-controlled motor switch to save energy and reduce the noise level

#### Further Options:

- Swivel feature with angle adjustment of the manipulating handle
- Water separator for use on water jet machines
- Battery pack for operation independant of power
- Air pack with pneumatical warning unit for compressed air operation



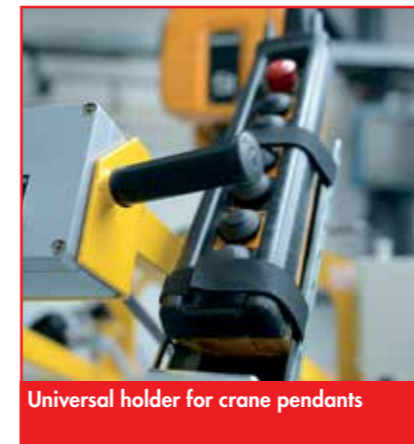
Optical warning unit with green and red lamp and howler for power failure



Electrical vacuum control via solenoid valve



Switching automatic with automatic suction and release on setting down



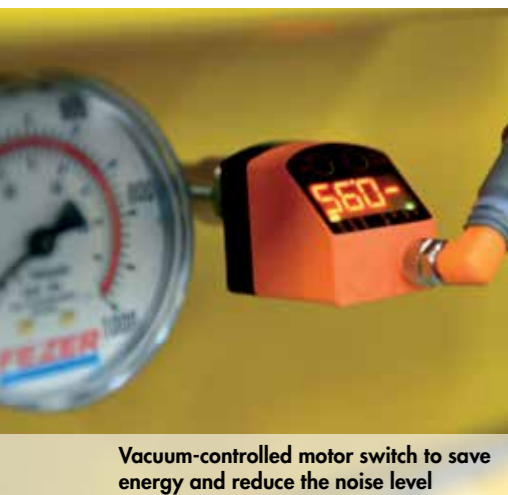
Universal holder for crane pendants



Direct control of crane movements via push-buttons on the manipulating handle



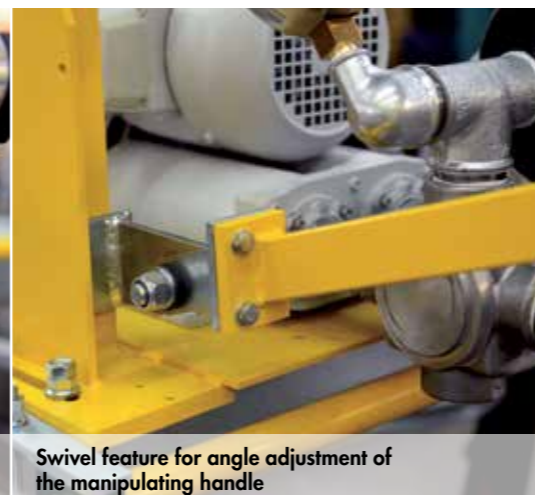
Disposal stands for safe parking of the lifter and protection of the suction pads



Vacuum-controlled motor switch to save energy and reduce the noise level



Water separator with manual drain for outdoors use or on water jet machines



Swivel feature for angle adjustment of the manipulating handle



Ball valves to switch individual suction pads on and off



Air Pack: strictly running on compressed air via ejector and pneumatical warning unit



Battery Pack: power-independent operation via 24V pump and batteries

## VacuWood / VacuPoro

Rough planks, heavy boards, meter-long gluelam beams or porous plates of all kinds - the lifter series VacuWood and VacuPoro have everything under control



VacuWood	.....	75/76
VacuPoro	.....	77/78

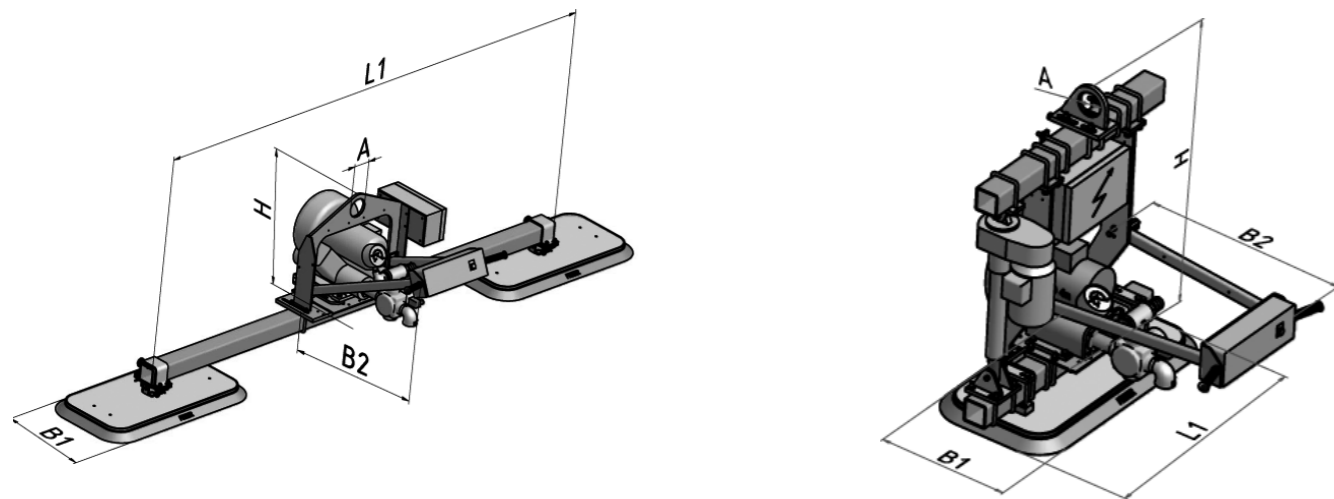
## Vacuum Load Lifting Devices

VacuPoro VP, VP-90

### Horizontal and swivelling Design

The lifter series VacuPoro is specially designed for handling porous materials like raw chipboards, MDF- or OSB-boards. A powerful blower with flywheel safely engages these materials and even keeps them suspended for an adequate time period after a power failure. Loads can also be swivelled by 90° to put them into upright saws or storage. As a standard the lifters are equipped with electrical vacuum control and acoustic warning unit

- Handling when stored upright
- Loading of upright machinery
- Highest operational safety by special blowers with flywheel



**FEZER**  
Simply move more.

Capacity (kg)	Type	Workpiece dimensions		Pump	Number of suction pads	L1 (mm)	B1 (mm)	B2 (mm)	H (mm)	A (mm)	Own weight (kg)
		max (mm)	min (mm)								
250	VP-80/1	4.100 x 2.100	900 x 500	SD 400	1	850	450	1.050	650	80	105 ... 115
250/125	VP-80-90E/1	4.100 x 2.100	900 x 500	SD 400	1	850	450	1.050	1.100	80	140 ... 150
500	VP-80/2	5.600 x 2.600	2.000 x 500	SD 400	2	2.400	450	1.050	650	80	155 ... 165
500/250	VP-80-90E/2	5.600 x 2.600	2.000 x 500	SD 400	2	2.400	450	1.050	1.100	80	190 ... 210

### VacuPoro VP in Action

- 1 VacuPoro while loading a CNC machine
- 2 VacuPoro VP-80-90E/1 with swivelling for raw chipboards
- 3 Special flat design for handling wall elements up to 1.200 kg
- 4 VacuPoro VP-80-90E/2 with swivelling for handling chipboards up to 250 kg