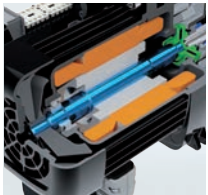
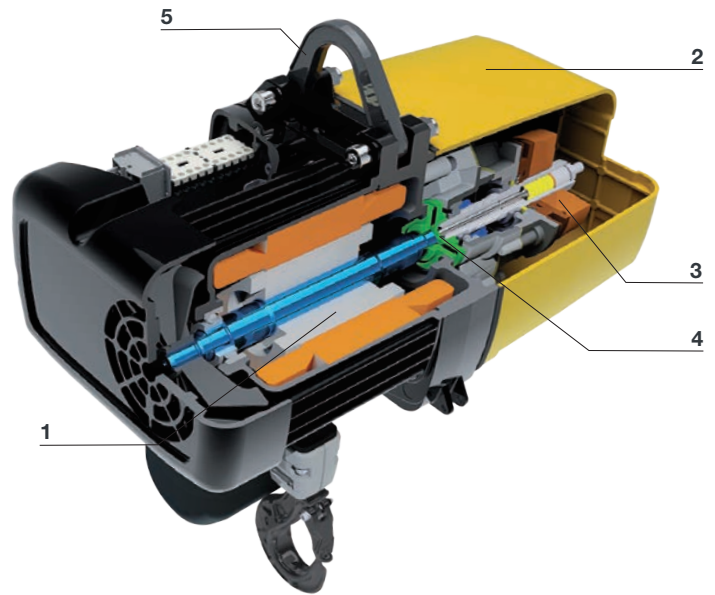


OUTSTANDING FEATURES

LIFTING CAPACITY 80 – 1250 KG

- 1 Powerful built-in motor
(60 °C in ISO M5/FEM 2m)
- 2 Casing and cover made of aluminum,
modular and simple in its design
- 3 Reliable DC spring-loaded brake,
safe holding of the load
- 4 Dry running slipping clutch,
very low maintenance
- 5 Eyebolt suspension hinged,
easy installation



Motor

- Powerful built-in motor with power reserve
- Optimal cooling effect thanks to external cooling
- 3- or 1-phase operation



Transmission

- Smooth running (65 dB)
- 3-step gear with helical gearing
- Permanent lubrication
- Self-contained gearbox



Geared limit switch

- The upper and lower end position of the load hook can be set easily and precisely
- Optionally two additional emergency stop contacts available



Protection class IP65

- Dust proof
- Protected against water jets
- Best suited for outdoor operation and dusty environment



Control switch

- Ergonomic and impact-resistant
- Safe to operate
- 42 V low voltage control
- External strain relief protects control cable



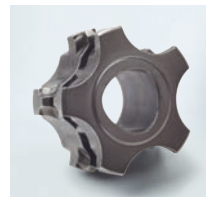
Profile steel chain

- Case hardened and manganese phosphated
- Less wear, increased lifetime
- Chain safety factor min. 8:1 (ISO M5/FEM 2m)
- Corrosion resistance



Hooks

- Skeleton load and suspension hooks
- Hook safety catch fastened into position when closed



Polygonal connections

- All shaft-hub connections are built in a self-centering polygonal design
- Optimal power transmission
- Quick assembly and disassembly



Maintenance

- Easy to maintain
- Good accessibility of wearing parts
- Quick and simple replacement
- No special tools required



Special products

- Corrosion resistant
- Explosion proof
- Frequency inverter driven
- Handy chain and telescopic models
- Synchronised hoist
- Low headroom version

☐ DVHPH☐D☐H☐DOV☐DQGOL☐

3

)

(VDE☐☐DVHPH☐RPD☐

: ☐ DVHPH☐D☐H☐DOV☐DQGOL☐RPD☐