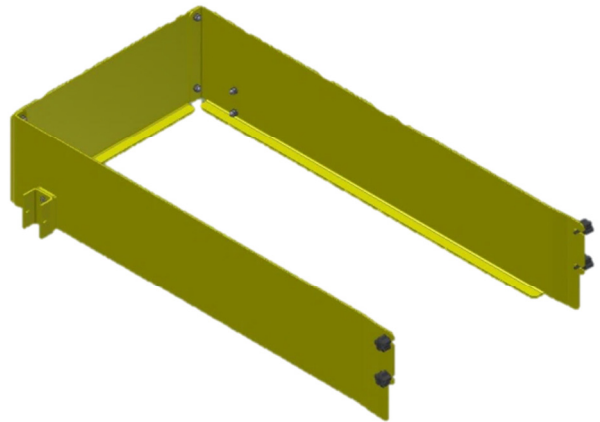
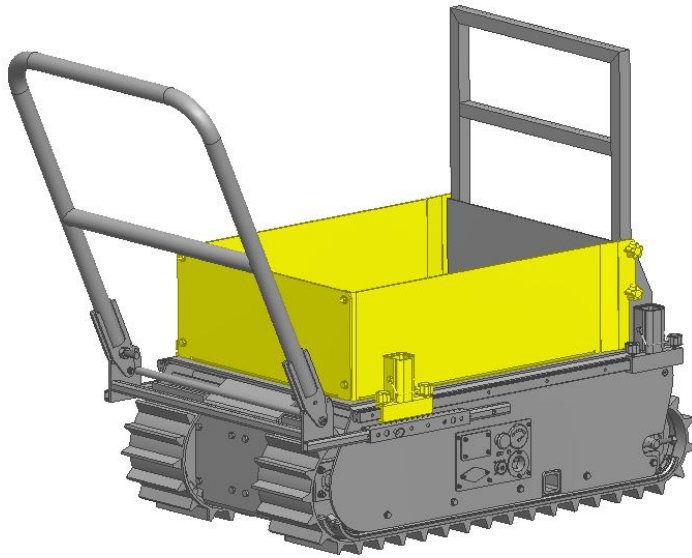


THREE-SIDED BOX

TECHNICAL SPECIFICATIONS



PHYSICAL CHARACTERISTICS

Material	Aluminum	
Length*	As per Track-O model	
Width*	As per Track-O model	
Height	10 ³ / ₈ in	263 mm
Weight*	As per Track-O model	
Volume*	As per Track-O model	

COMPATIBLE WITH :

- Backrest
- Track-O 75
- Twin-Track 47
- Twin-Track 66
- Heavy-Duty
- Cross-Country

*The dimensions of the three-sided box vary depending on the Track-O model. They are adapted to the cab of each model.

The information contained in this document is subject to change without notice.