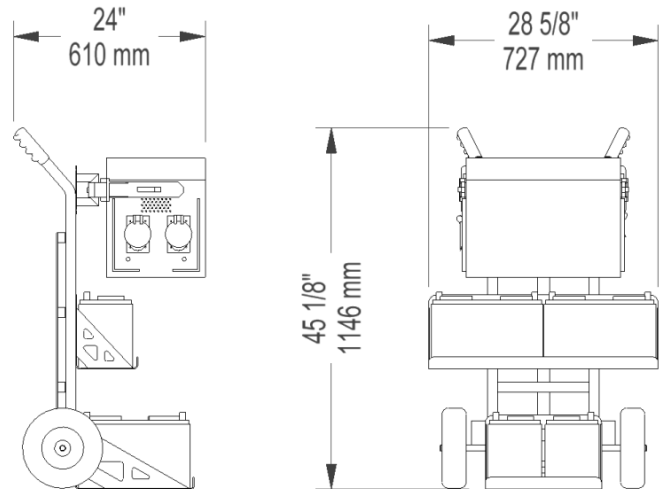
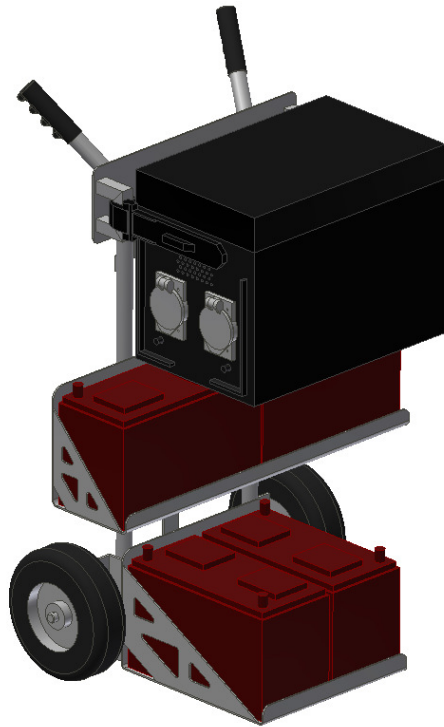


RECHARGE STATION FOR BATTERIES

TECHNICAL SPECIFICATIONS



ELECTRICAL CHARACTERISTICS

| | |
|------------------------------------|-----------------------------------|
| Batteries amperage / voltage* | 85 - 115 - 130 A @ 12 VDC (x4) |
| Charger | Integrated AC-DC (x2) |
| AC input voltage (charger) | 85 à 265 VAC |
| AC input current (charger) | 12 A @ 120 VAC 5 A @ 230 VAC |
| AC input frequency (charger) | 45 à 65 Hz |
| Battery recharging time* (pair) | 5.5 à 8.5 hours approx. |

COMPATIBLE WITH :

- Twin-Track 47
- Twin-Track 66
- Heavy-Duty
- Cross-Country

PHYSICAL CHARACTERISTICS

| | | |
|-----------------------|-----------|---------|
| Material | Steel | |
| Length | 24 in | 610 mm |
| Width | 28 5/8 in | 727 mm |
| Height | 45 1/8 in | 1146 mm |
| Weight (each battery) | 66 lb | 30 kg |
| Weight (case) | 50 lb | 23 kg |
| Weight (trolley) | 50 lb | 23 kg |

* The battery model depends on the Track-O model. Contact your dealer to know the characteristics concerning the batteries installed in your Track-O.

The information contained in this document is subject to change without notice.