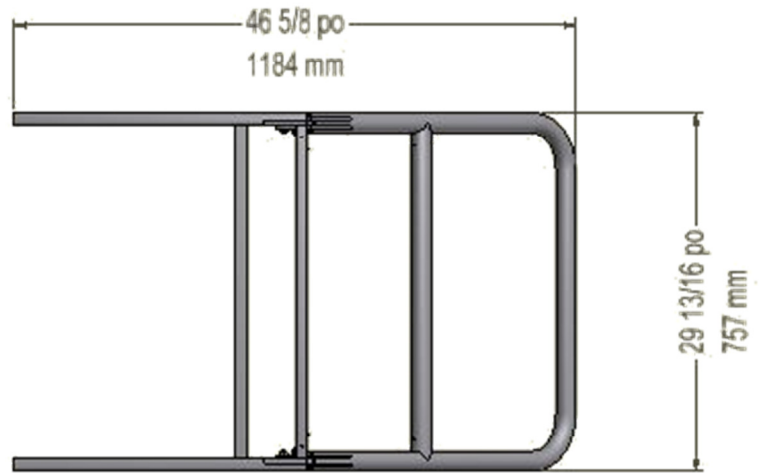
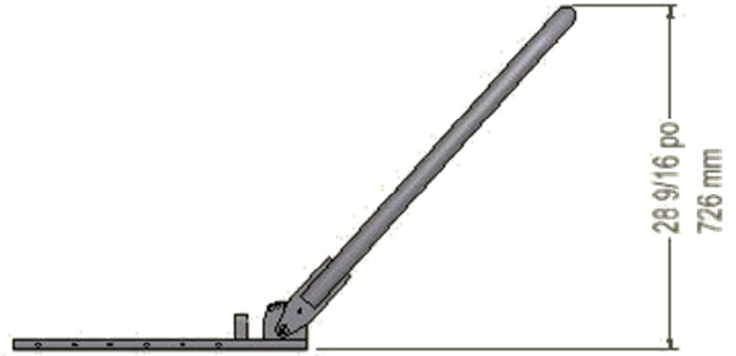
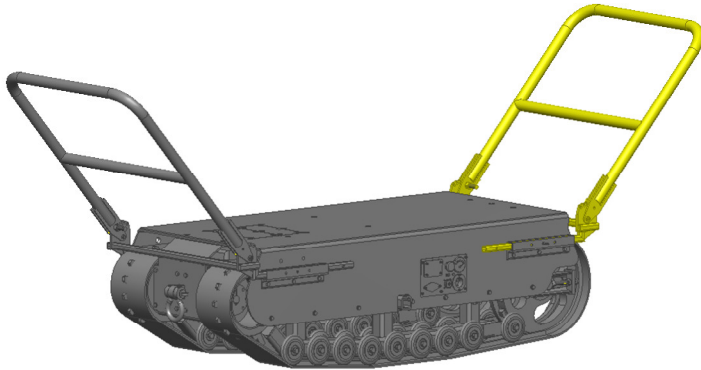


ADDITIONAL HANDLE

TECHNICAL SPECIFICATIONS



PHYSICAL CHARACTERISTICS

Material	Steel	
Length	46 5/8 "	1184 mm
Width	29 13/16 "	757 mm
Height	28 9/16 "	726 mm
Weight	40 lb	18 kg

COMPATIBLE WITH :

- Cross-Country Utility

The information contained in this document is subject to change without notice.