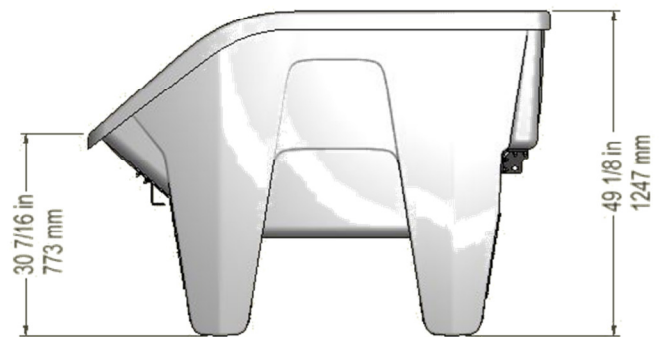
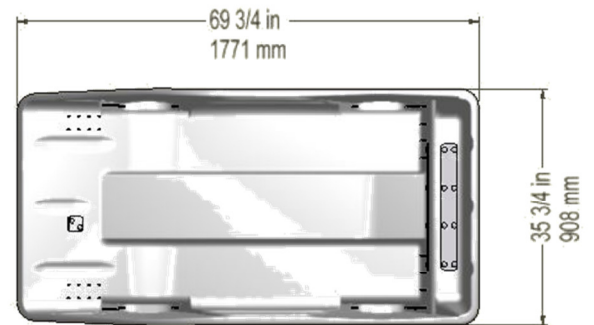
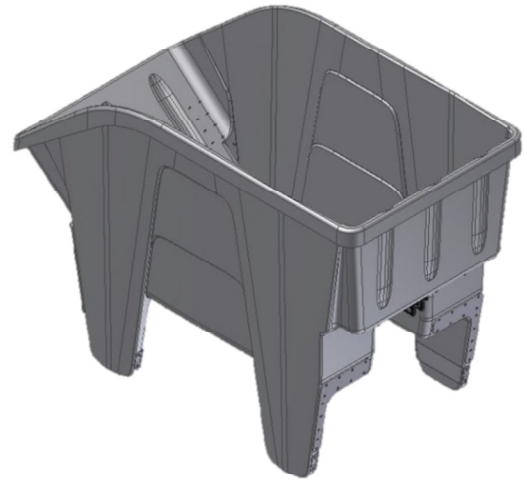
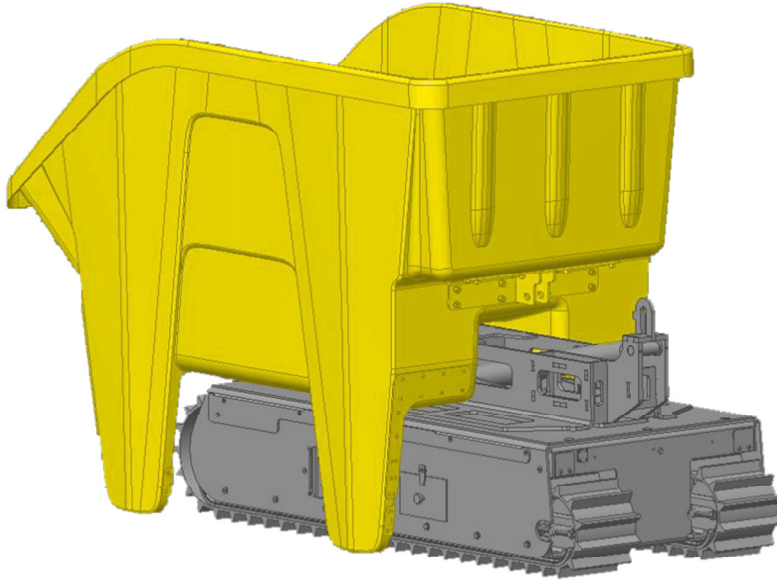


# WASTE CONTAINER

## TECHNICAL SPECIFICATIONS



### PHYSICAL CHARACTERISTICS

Frame	Polyethylene	
Length	69 3/4 in	1771 mm
Width	35 3/4 in	908 mm
Height	49 1/8 in	1247 mm
Weight	119 lb	54 kg
Volume	45 pi <sup>3</sup>	1.27 m <sup>3</sup>
Load bearing capacity* (inclined surface)	600 lb at 40°	272 kg at 40°
Load bearing capacity* (on stairs)	600 lb at 40°	272 kg at 40°
Load bearing capacity* (flat surface)	1500 lb	680 kg

### COMPATIBLE WITH :

- Lifting device

\* These load bearing capacities have been tested with a Twin-Track 66 model. Contact your dealer to know the load bearing capacities of this accessory when it is used with other Track-O models.

The information contained in this document is subject to change without notice.