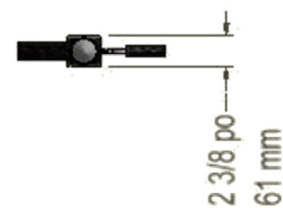
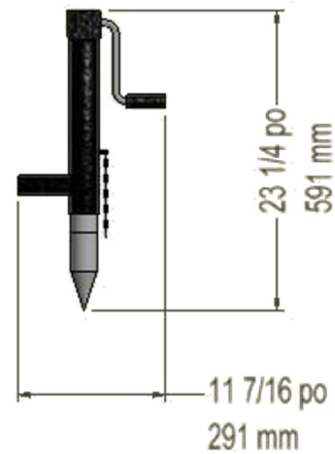
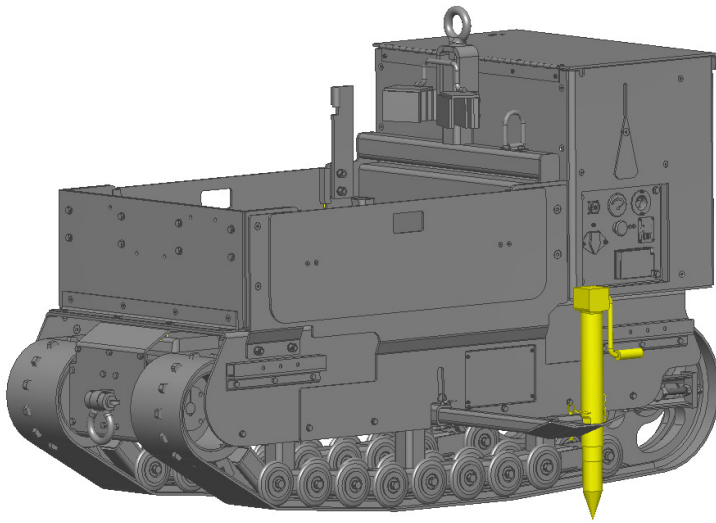


STABILIZERS FOR WINCH USE

TECHNICAL SPECIFICATIONS



PHYSICAL CHARACTERISTICS

Material	Steel	
Length	11 7/16 in	291 mm
Width	2 3/8 in	61 mm
Height	23 1/4 in	591 mm
Weight (each)	15 lb	7 kg

COMPATIBLE WITH :

- Cross-Country Utility

The information contained in this document is subject to change without notice.