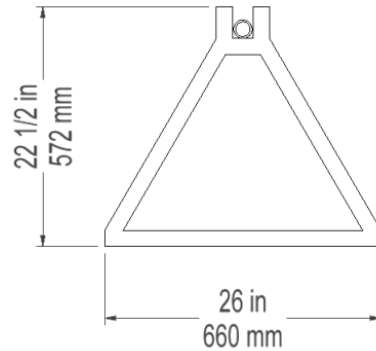
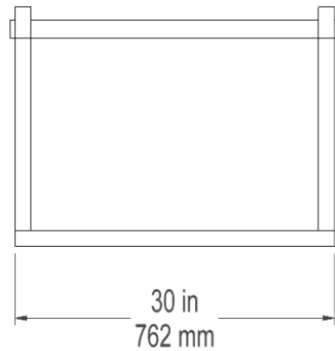
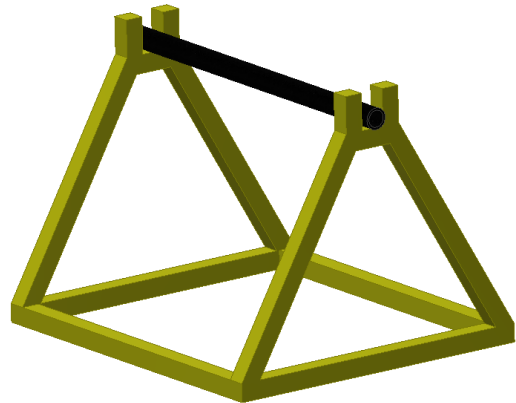
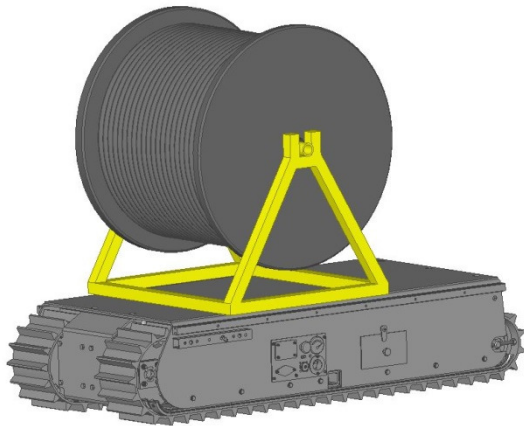


REEL SUPPORT

TECHNICAL SPECIFICATIONS



PHYSICAL CHARACTERISTICS

Material	Steel	
Length	26 in	660 mm
Width	30 in	762 mm
Height	22 1/2 in	572 mm
Weight	150 lb	68 kg
Load bearing capacity* (inclined surface)	950 lb at 40°	432 kg at 40°
Load bearing capacity* (on stairs)	950 lb at 40°	432 kg at 40°
Load bearing capacity* (flat surface)	2050 lb	932 kg

COMPATIBLE WITH :

- Track-O 75
- Twin-Track 47
- Twin-Track 66
- Heavy-Duty
- Cross-Country

* These load bearing capacities have been tested with a Twin-Track 66 model. Contact your dealer to know the load bearing capacities of this accessory when it is used with other Track-O models.

The information contained in this document is subject to change without notice.