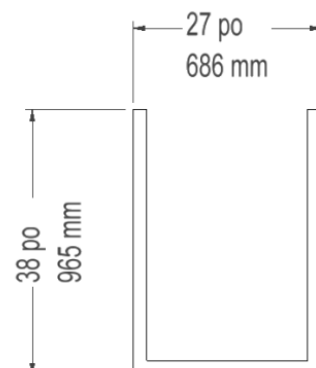
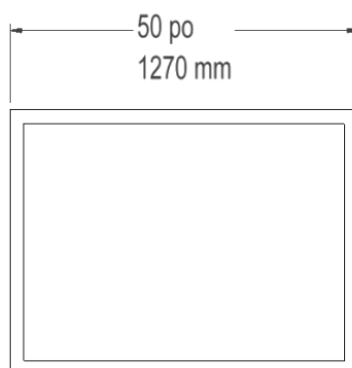
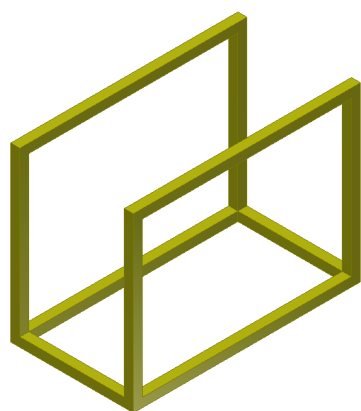
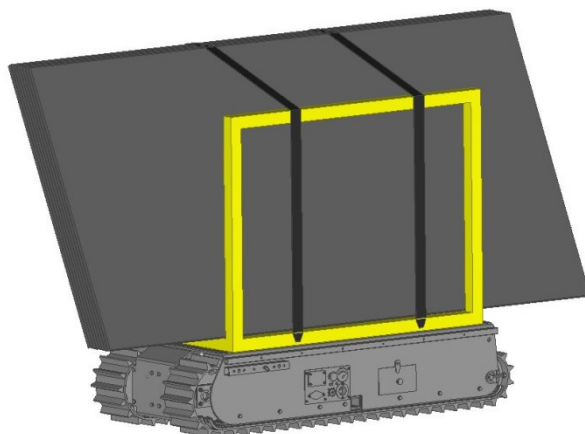


# PANEL SUPPORT

## TECHNICAL SPECIFICATIONS



### PHYSICAL CHARACTERISTICS

Material	Steel	
Length	50 in	1270 mm
Width	27 in	686 mm
Height	38 in	965 mm
Weight	150 lb	68 kg
Load bearing capacity * (inclined surface)	950 lb at 40°	432 kg at 40°
Load bearing capacity * (on stairs)	950 lb at 40°	432 kg at 40°
Load bearing capacity * (flat surface)	2050 lb	932 kg

### COMPATIBLE WITH :

- Track-O 75
- Twin-Track 47
- Twin-Track 66
- Heavy-Duty
- Cross-Country

\* These load bearing capacities have been tested with a Twin-Track 66 model. Contact your dealer to know the load bearing capacities of this accessory when it is used with other Track-O models.

*The information contained in this document is subject to change without notice.*