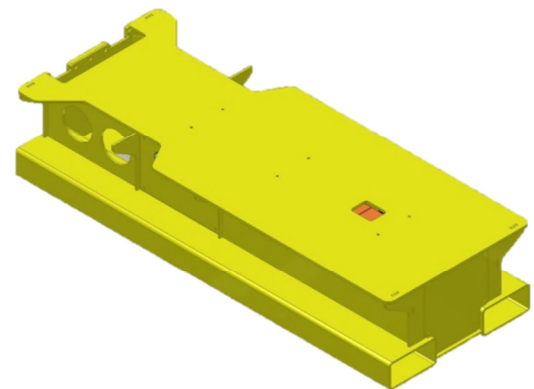
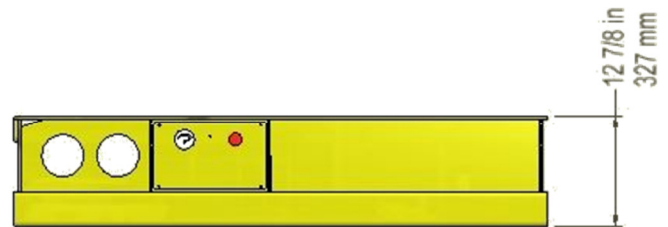
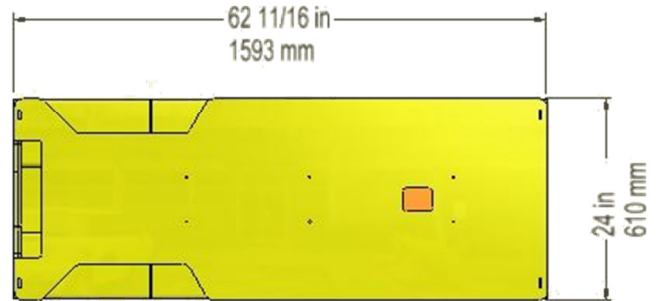


FORKLIFT LIFTING DEVICE

TECHNICAL SPECIFICATIONS



PHYSICAL CHARACTERISTICS

Frame	Steel	
Length	62.68 in	1593 mm
Width	24 in	610 mm
Height	12.87 in	327 mm
Weight	675 lb	307 kg
Dump/Lift capacity	2300 lb	1045 kg

COMPATIBLE WITH :

- Lifting device

The information contained in this document is subject to change without notice.