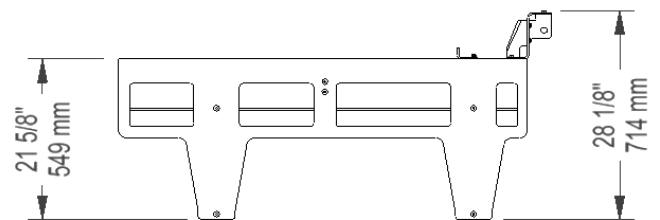
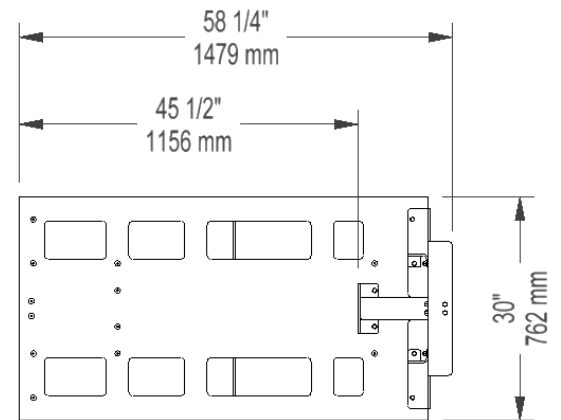
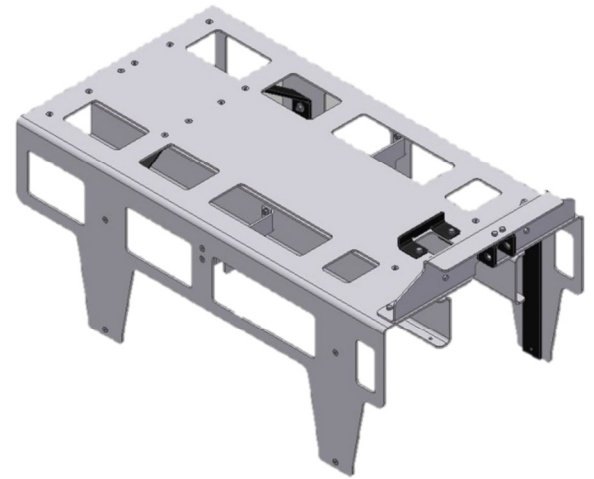
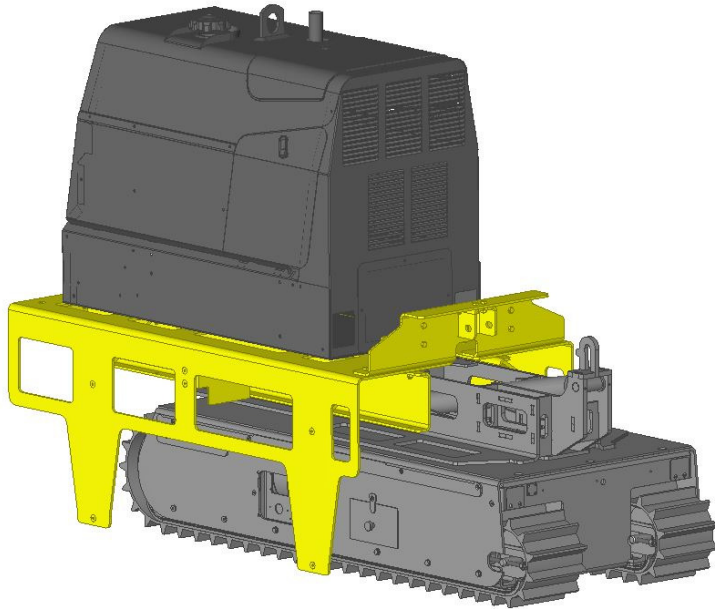


# EQUIPMENT PALLET

## TECHNICAL SPECIFICATIONS



### PHYSICAL CHARACTERISTICS

Material	Aluminum and steel	
Length	58 1/4 in	1479 mm
Width	30 in	762 mm
Height (platform)	21 5/8 in	550 mm
Overall height	28 1/8 in	714 mm
Weight	123 lb	56 kg
Load bearing capacity* (inclined surface)	677 lb at 40°	308 kg at 40°
Load bearing capacity* (on stairs)	677 lb at 40°	308 kg at 40°
Load bearing capacity* (flat surface)	1777 lb	808 kg

### COMPATIBLE WITH :

- Lifting device

\* These load bearing capacities have been tested with a Twin-Track 66 model. Contact your dealer to know the load bearing capacities of this accessory when it is used with other Track-O models.

The information contained in this document is subject to change without notice.