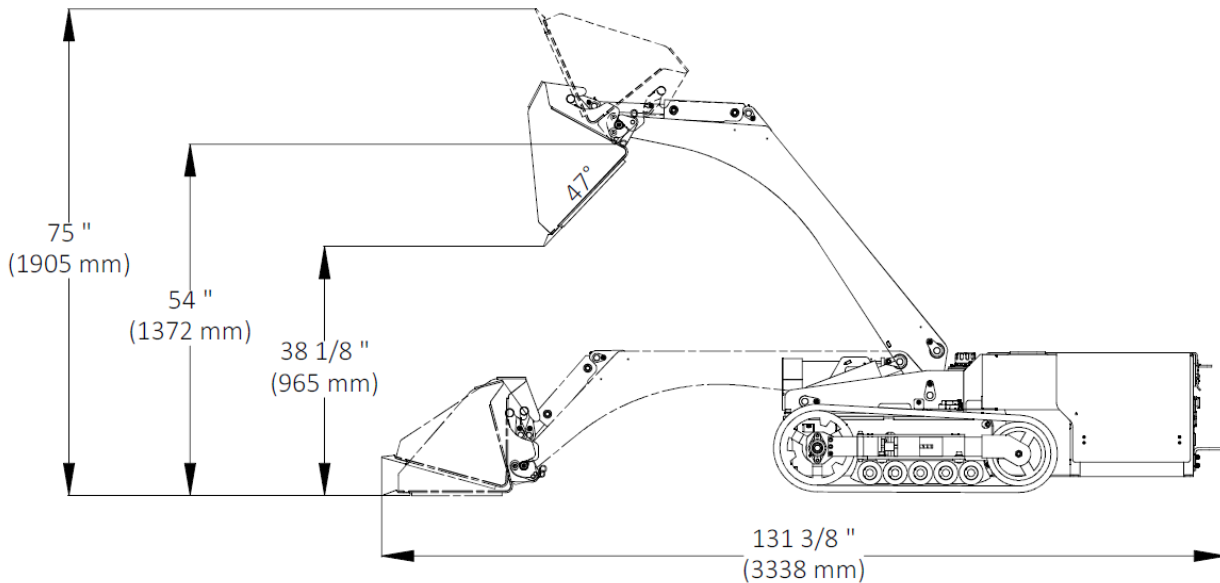
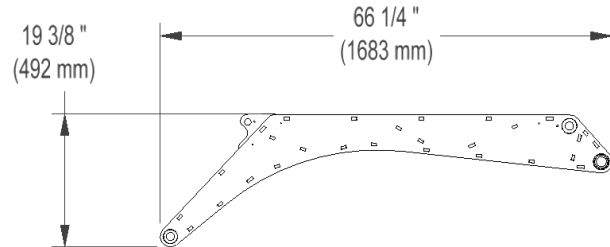
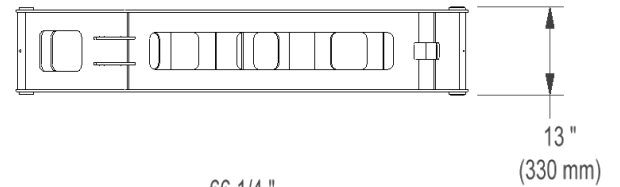
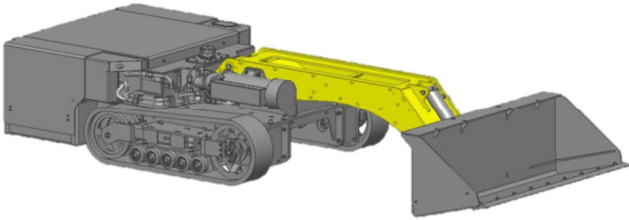


ELONGATED ARM

TECHNICAL SPECIFICATIONS



PHYSICAL CHARACTERISTICS

Material	Steel	
Length	66 1/4 in	1683 mm
Width	13 in	330 mm
Height	19 3/8 in	492 mm
Weight (arm only)	255 lb	116 kg
Weight (counterweight)	431 lb	196 kg

COMPATIBLE WITH :

- MINIDOZER AL48
- MINIDOZER M-48

The information contained in this document is subject to change without notice.