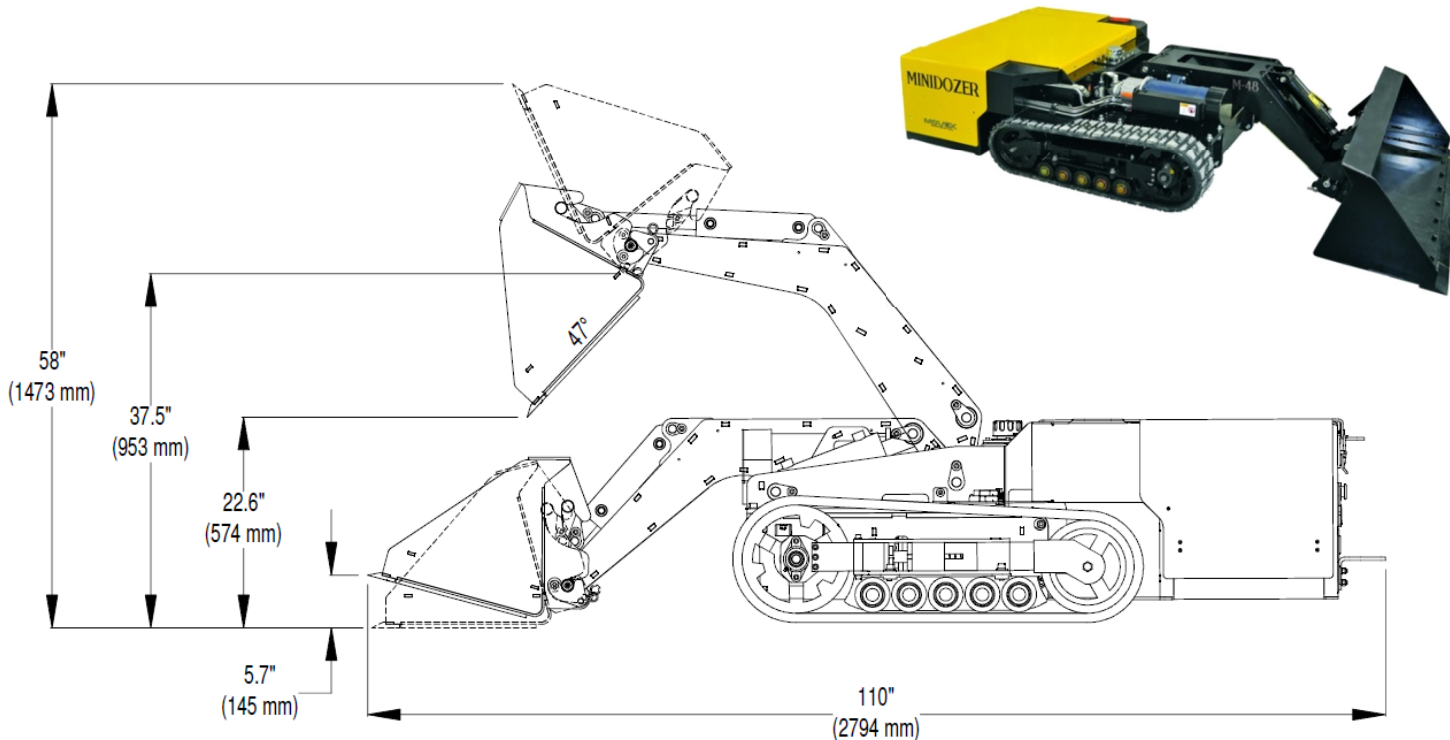


MINIDOZER AL48

TECHNICAL SPECIFICATIONS



PHYSICAL CHARACTERISTICS		
Frame	Steel	
Cabinet	Aluminum	
Length	110 in	2794 mm
Width	48 in	1219 mm
Height (frame)	22 in	559 mm
Height (bucket to maximum)	58 in	1473 mm
Clearance Under Bucket (to maximum height)	37 1/2 in	950 mm
Weight	3340 lb	1560 kg
Turning diameter	163 in	4140 mm
Lifting capacity	1170 lb	531 kg
Bucket capacity	0.175 vg ³	0.133 m ³
Maximum speed (flat surface)	66 ft/min	20.1 m/min

POWER	
Motor power	2 HP (x2)
Hydraulic motor power (bucket)	2 HP (x1)
Gearbox ratio	75:1 (x2)
POWER FEATURES	
Batteries Amperage/Voltage	435 Amps at 6 Volts (x8)
Charger	AC-DC external (x1)
Battery Pack Amperage	870 Amps
Operating Voltage	24 VDC
Continuous Run-Time	10 hours approx. (no load, flat surface)
Battery Recharging Time	14 hours approx.
Control	Wireless (standard)

The information contained in this document is subject to change without notice.