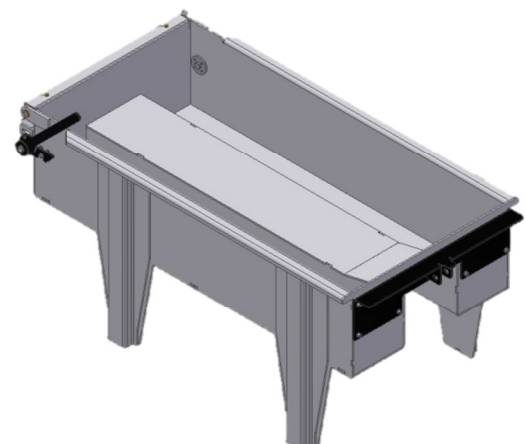
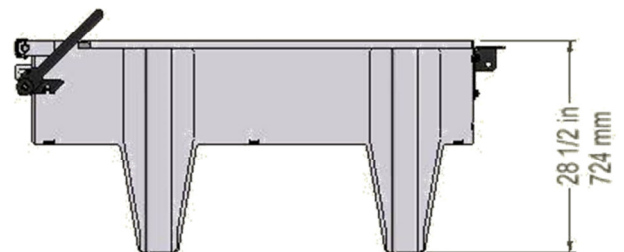
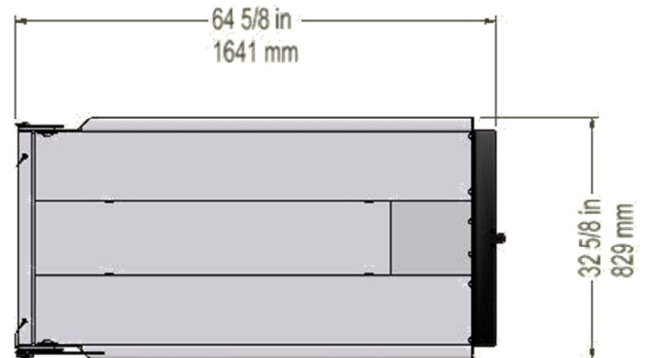
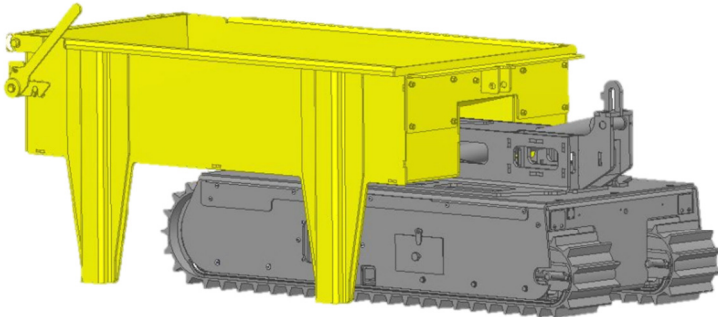


CONCRETE CONTAINER

TECHNICAL SPECIFICATIONS



PHYSICAL CHARACTERISTICS

Material	Aluminum and steel	
Length	64 5/8 in	1641 mm
Width	32 5/8 in	829 mm
Height	28 1/2 in	724 mm
Wreight	195 lb	89 kg
Volume	15 pi ³	0.42 m ³
Load bearing capacity* (inclined surface)	600 lb at 40°	272 kg at 40°
Load bearing capacity* (on stairs)	600 lb at 40°	272 kg at 40°
Load bearing capacity* (flat surface)	1705 lb	775 kg

COMPATIBLE WITH :

- Lifting device

* These load bearing capacities have been tested with a Twin-Track 66 model. Contact your dealer to know the load bearing capacities of this accessory when it is used with other Track-O models.

The information contained in this document is subject to change without notice.