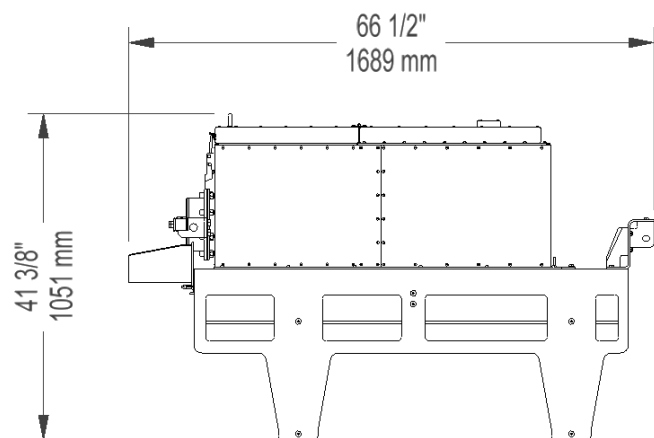
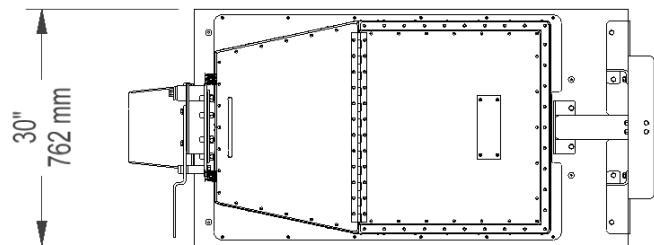
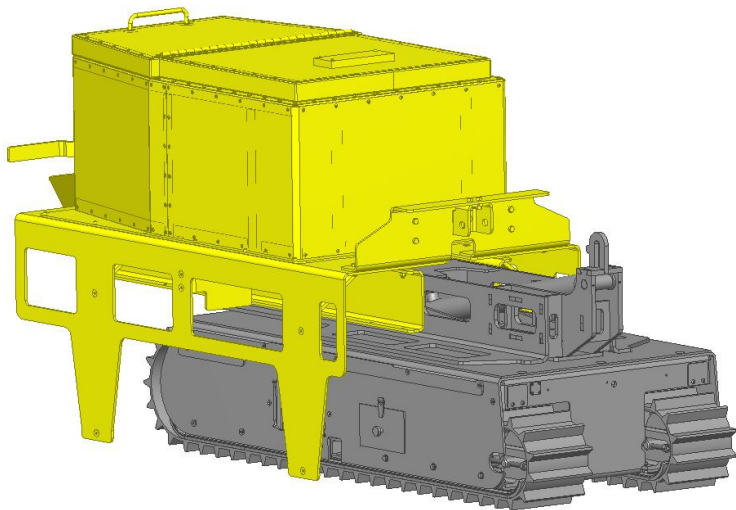


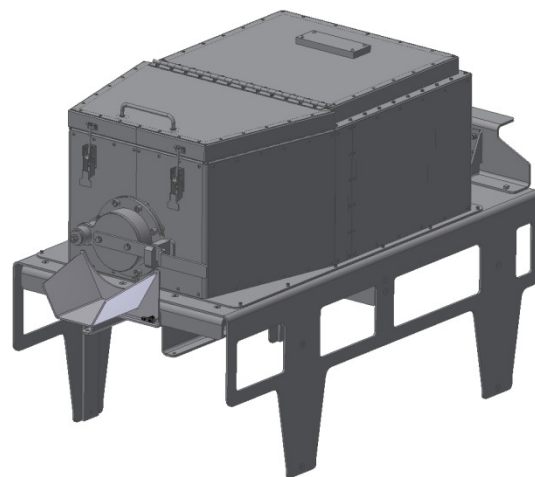
ASPHALT CONTAINER

TECHNICAL SPECIFICATIONS



PHYSICAL CHARACTERISTICS

Material	Aluminum, steel and stainless steel	
Length	66 1/2 in	1689 mm
Width	30 in	762 mm
Height	41 3/8 in	1051 mm
Weight	310 lb	141 kg
Volume	6100 in ³	0.1 m ³
Load bearing capacity* (inclined surface)	551 lb at 35°	250 kg at 35°
Load bearing capacity* (on stairs)	551 lb at 35°	250 kg at 35°
Load bearing capacity* (flat surface)	551 lb	250 kg



COMPATIBLE WITH :

- Lifting device

* These load bearing capacities have been tested with a Twin-Track 66 model. Contact your dealer to know the load bearing capacities of this accessory when it is used with other Track-O models.

The information contained in this document is subject to change without notice.