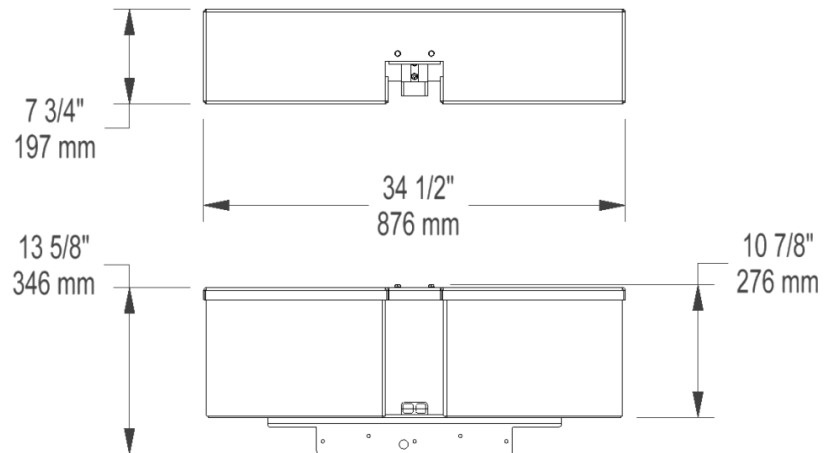
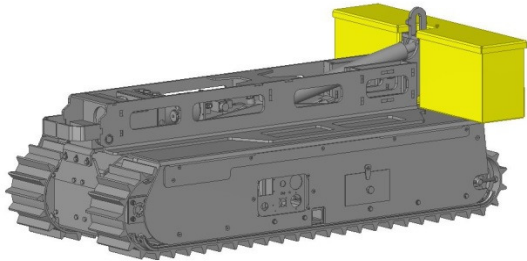


ADDITIONAL BATTERY SET

TECHNICAL SPECIFICATIONS

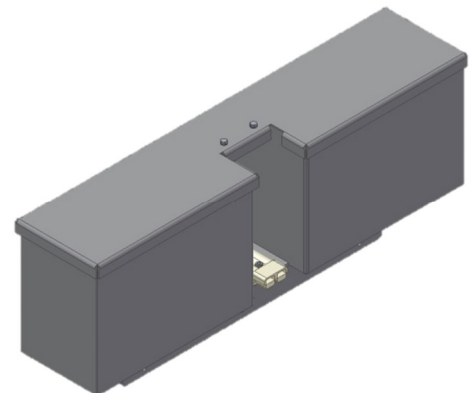


PHYSICAL CHARACTERISTICS

Material	Aluminum	
Length	34 1/2 in	876 mm
Width	7 3/4 in	197 mm
Height (above the cabinet)	10 7/8 in	276 mm
Weight (empty)	35 lb	16 kg
Weight (with batteries)	167 lb	76 kg

ELECTRICAL CHARACTERISTICS

Batteries amperage / voltage*	85 - 115 - 130 A @ 12 VDC (x2)
Battery pack amperage*	85 - 115 - 130 A
Operating voltage	24 VDC
Additional run-time* (continuous)	1.5 to 3 hours approx.
Additional recharging time	7 hours approx.



COMPATIBLE WITH :

- Track-O 75
- Twin-Track 47
- Twin-Track 66
- Heavy-Duty
- Cross-Country

* The battery model depends on the Track-O model. Contact your dealer to know the characteristics concerning the batteries installed in your Track-O.

The information contained in this document is subject to change without notice.